

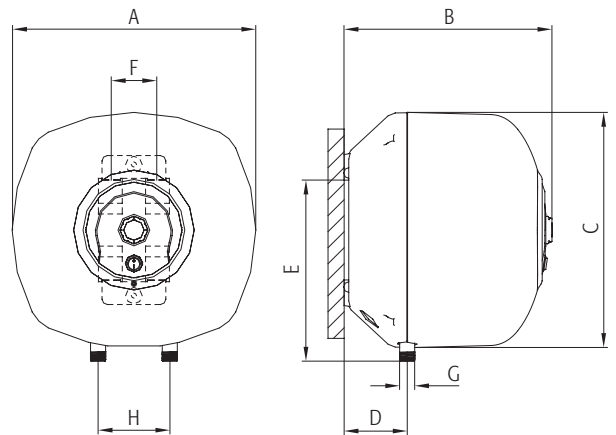
# > BRAVO

## COMPACT BUT GENEROUS



- > External casing in strong ABS
- > Reinforced hanging bracket with internal steel bar
- > Capillary thermostat
- > High concentration magnesium anode
- > ON/OFF switch
- > Front step-less temperature adjustment, with power level led indication
- > Pressure relief valve, set to 6 bar
- > Electric cable included (without plug)

\*S = Under-sink



BRAVO			SN 10	SN 10 S*	SN 15	SN 15 S*	SN 30
Dimensions	A	mm	340	340	364	364	440
	B	mm	330	330	354	354	440
	C	mm	300	300	337	337	397
	D	mm	90	90	97	97	113
	E	mm	252	114	265	125	318
	F	mm	66	66	66	66	66
	G	inches	1/2" M	1/2" M	1/2" M	1/2" M	1/2" M
	H	mm	100	100	100	100	100
Capacity		litres	10	10	14	14	28
Heating time	$\Delta T$ 35° C	min.	12.9'	12.9'	14.4'	14.4'	24'
	$\Delta T$ 45° C		16.5'	16.5'	18.5'	18.5'	30.8'
Power		kW	2	2	2.5	2.5	3
Voltage			220~240 V 50-60 HZ				
Weight	EMPTY	Kg	6.5	6.5	8	8	12
	FULL		16.5	16.5	22	22	40
CODE			SN10SVE2.0	SN10SVE2.0U	SN15SVE2.5	SN15SVE2.5U	SN30VE3.0

### FEATURES



OPERATING LIGHT



TEMPERATURE ADJUSTMENT



SHOCK-PROOF CASING



INGRESS PROTECTION IPX4



RUST FREE



ON/OFF SWITCH