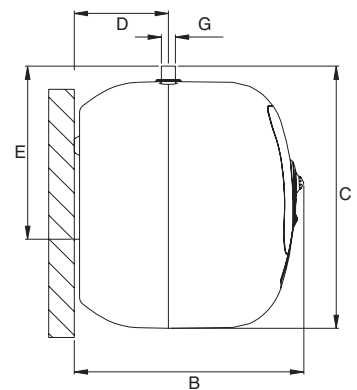
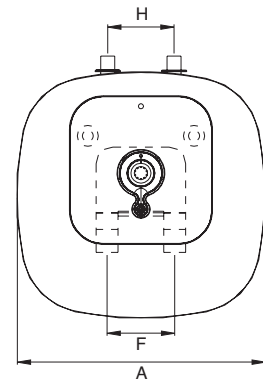


# > CUBO

## SMALL AND HARD-WORKING



- > External casing in strong ABS
- > Reinforced hanging bracket with internal steel bar
- > Blue Forever heating element
- > Premium tank warranty
- > Thermostatic control
- > High concentration magnesium anode
- > ON/OFF switch
- > Operating light
- > Temperature adjustment
- > Pressure relief valve, set to 6 bar
- > Electric cable included (without plug)
- > Under-sink only



CUBO			SG 10 S	SG 15 S
Dimensions	A	mm	340	364
	B	mm	330	354
	C	mm	300	337
	D	mm	85	85
	E	mm	259	278
	F	mm	66	66
	G	inches	1/2" M	1/2" M
	H	mm	100	100
Capacity		litres	10	14
Heating time	$\Delta T$ 35° C	min.	12.9	14.4
	$\Delta T$ 45° C		16.5'	18.5'
Power		kW	2	2.5
Voltage			220-240V 50-60 HZ	
Weight	EMPTY	Kg	6.5	8.0
	FULL		16.5	22
CODE			GRDWTY0A	GRDBR40A

### FEATURES



EASY TO MAINTAIN



OPERATING LIGHT



TEMPERATURE ADJUSTMENT



ON/OFF SWITCH



INGRESS PROTECTION IPX4



RUST FREE



SHOCK-PROOF CASING



BLUE FOREVER HEATING ELEMENT